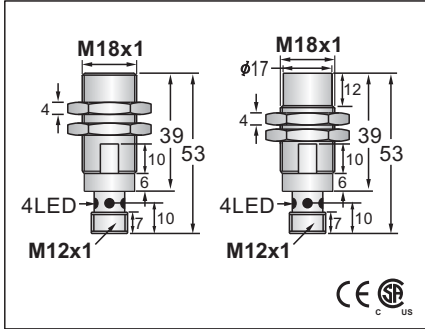


M18、M30

DC HIGH TORQUE, STANDARD SENSING RANGE (SHORT BODY)

DC HIGH TORQUE, STANDARD SENSING RANGE (SHORT BODY)

M18	
●	○
5.0	8.0
Nickel plated brass	
●	



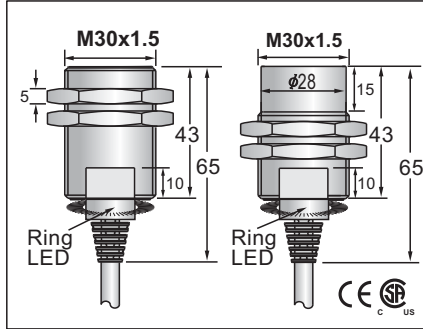
10-30 VDC	
10% max.	
18x18x1 mm	30x30x1 mm
1,000Hz	500Hz
10mA max.	
200mA max. (DC 2-wire type: 100mA max.)	
0.8mA max.	
2V max. (DC 2-wire type: 6V max.)	
≤ 15% of sensing distance	
IP67	
-25°C to 70°C	
Operating: 35% to 95%	
<10%	
YES	
YES (Except DC 2-wire type)	
RFI>3V/m / EFT>1KV / ESD>4KV (contact)	
IEC 60947-5-2, Part 7.4.1 / IEC 60947-5-2, Part 7.4.2	

PBT			
OCN1-1805N-ARS4	33	OCN2-1808N-ARS4	33
OCN1-1805N-BRS4	34	OCN2-1808N-BRS4	34
OCN1-1805P-ARS4	35	OCN2-1808P-ARS4	35
OCN1-1805P-BRS4	36	OCN2-1808P-BRS4	36
OCN1-1805P-SRS4	38	OCN2-1808P-SRS4	38
OCN1-1805N-SRS4	37	OCN2-1808N-SRS4	37
OCN1-1805C-ARS4	40	OCN2-1808C-ARS4	40
OCN1-1805C-BRS4	78	OCN2-1808C-BRS4	78

Please see Page 18 for details and specifications of DC 2-Wire models on this page.

Approx. 70 g

M30	
●	○
10.0	15.0
Nickel plated brass	
●	



10-30 VDC	
10% max.	
30x30x1 mm	54x54x1 mm
400Hz	150Hz
10mA max.	
200mA max. (DC 2-wire type: 100mA max.)	
0.8mA max.	
2V max. (DC 2-wire type: 6V max.)	
≤ 15% of sensing distance	
IP67	
-25°C to 70°C	
Operating: 35% to 95%	
<10%	
YES	
YES (Except DC 2-wire type)	
RFI>3V/m / EFT>1KV / ESD>4KV (contact)	
IEC 60947-5-2, Part 7.4.1 / IEC 60947-5-2, Part 7.4.2	

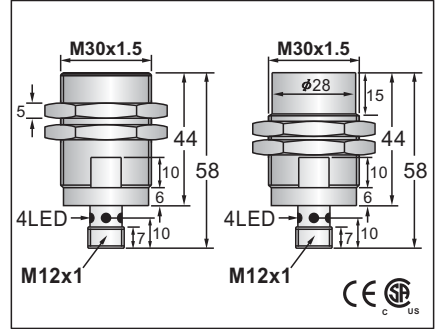
PBT			
OCN1-3010N-A3S2	1	OCN2-3015N-A3S2	1
OCN1-3010N-B3S2	2	OCN2-3015N-B3S2	2
OCN1-3010P-A3S2	3	OCN2-3015P-A3S2	3
OCN1-3010P-B3S2	4	OCN2-3015P-B3S2	4
OCN1-3010P-S4S2	6	OCN2-3015P-S4S2	6
OCN1-3010N-S4S2	5	OCN2-3015N-S4S2	5
OCN1-3010C-A2S2	7	OCN2-3015C-A2S2	7
OCN1-3010C-B2S2	8	OCN2-3015C-B2S2	8

Pigtail types

Note:
The standard cable length is 300mm. Any other length can be made by request.
The relevant part number is with suffix "P12", for example:
OCN1-3010N-A3S0.3/P12
M12 pigtail mode

5.8 ϕ 3x0.5
Approx. 280 g

M30	
●	○
10.0	15.0
Nickel plated brass	
●	



10-30 VDC	
10% max.	
30x30x1 mm	54x54x1 mm
400Hz	150Hz
10mA max.	
200mA max. (DC 2-wire type: 100mA max.)	
0.8mA max.	
2V max. (DC 2-wire type: 6V max.)	
≤ 15% of sensing distance	
IP67	
-25°C to 70°C	
Operating: 35% to 95%	
<10%	
YES	
YES (Except DC 2-wire type)	
RFI>3V/m / EFT>1KV / ESD>4KV (contact)	
IEC 60947-5-2, Part 7.4.1 / IEC 60947-5-2, Part 7.4.2	

PBT			
OCN1-3010N-ARS4	33	OCN2-3015N-ARS4	33
OCN1-3010N-BRS4	34	OCN2-3015N-BRS4	34
OCN1-3010P-ARS4	35	OCN2-3015P-ARS4	35
OCN1-3010P-BRS4	36	OCN2-3015P-BRS4	36
OCN1-3010P-SRS4	38	OCN2-3015P-SRS4	38
OCN1-3010N-SRS4	37	OCN2-3015N-SRS4	37
OCN1-3010C-ARS4	40	OCN2-3015C-ARS4	40
OCN1-3010C-BRS4	78	OCN2-3015C-BRS4	78

Approx. 200 g